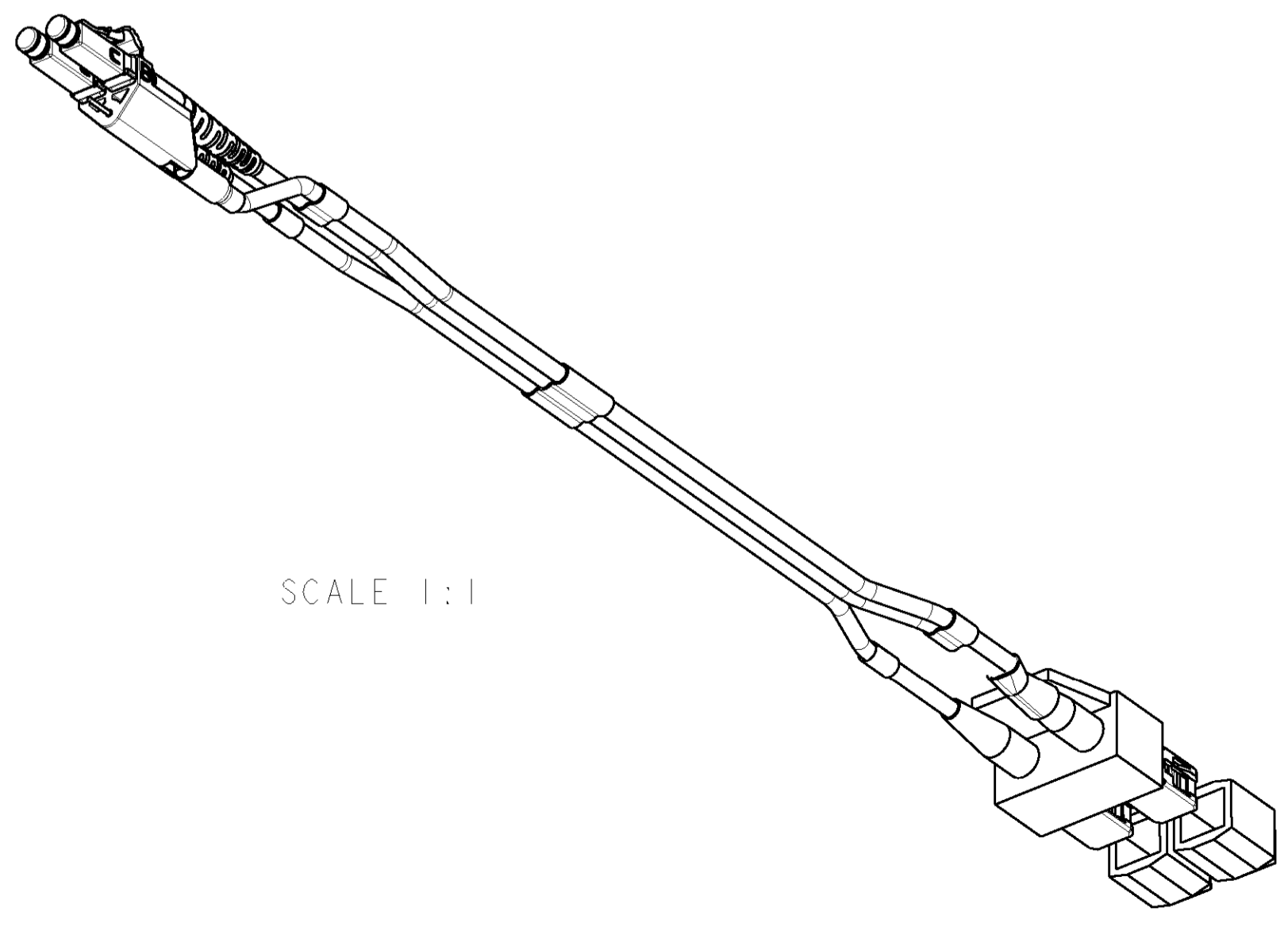
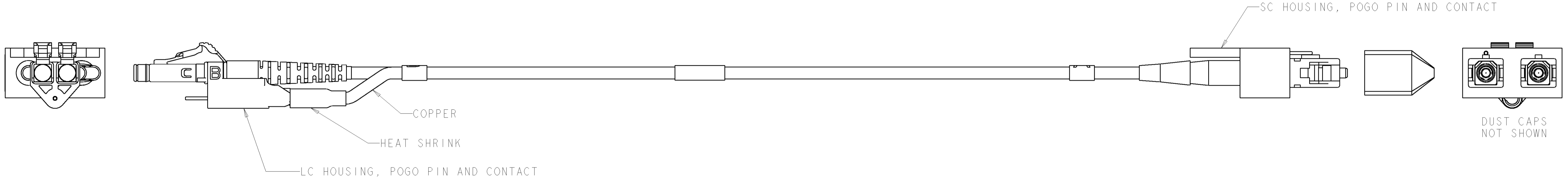
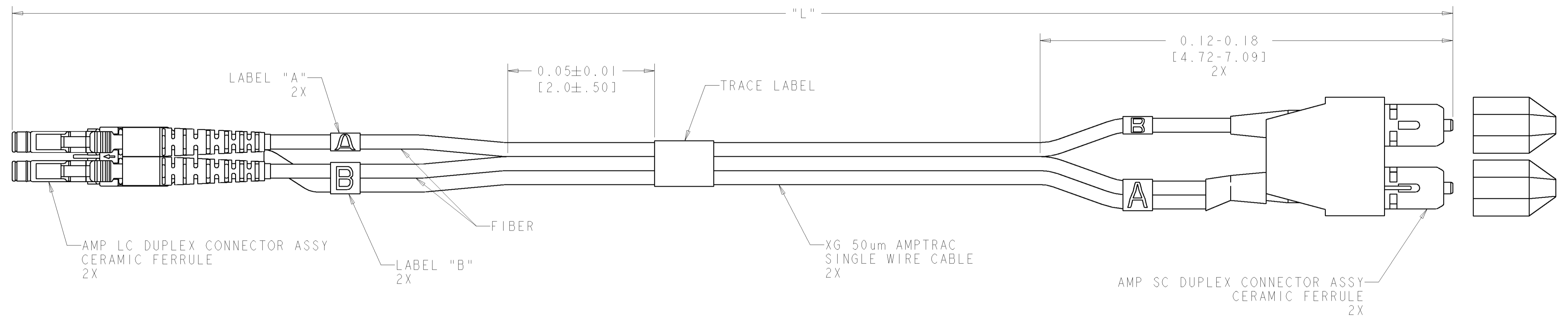


CONNECTOR LOSS (dB)	"L" METERS [INCHES]	PART NUMBER
.52	10.0±.15 [393.7±6]	1-1435796-0
.52	7.0±0.08 [275.6±3]	1435796-7
.51	5.0±.08 [196.9±3]	1435796-5
.50	3.0±.05 [118.1±2.0]	1435796-3
.50	2.0±.05 [78.7±2.0]	1435796-2
.50	1.0±.05 [39.4±2.0]	1435796-1

LOC	DIST	REV	DATE	BY	APPD
HM	00	A	31MAY2005	JM	MD
		B	12DEC2005	GG	MD



1 DIMENSIONS IN [] ARE IN INCHES.
 2 MAXIMUM CONNECTOR LOSS IS EQUAL TO .50 dB PLUS CABLE ATTENUATION.

SCALE 1:1

<small>THIS DRAWING IS UNPUBLISHED. IT IS THE PROPERTY OF TYCO ELECTRONICS CORPORATION. IT IS TO BE USED ONLY FOR THE SPECIFIC AND EXPLICIT ORGANIZATION AND PURPOSE FOR WHICH IT WAS CREATED. IT IS NOT TO BE REPRODUCED OR TRANSMITTED IN ANY FORM OR BY ANY MEANS, ELECTRONIC OR MECHANICAL, WITHOUT THE WRITTEN PERMISSION OF TYCO ELECTRONICS CORPORATION.</small>		DWN J MCNEAL 31MAY2005 CHK L SMITH 31MAY2005 APVD M DELPHIAS 31MAY2005	tyco Electronics Tyco Electronics Harrisburg, PA 17105-3608
DIMENSIONS: METERS 	TOLERANCES UNLESS OTHERWISE SPECIFIED: 0 PLC ± 1 PLC ± 2 PLC ± 3 PLC ± 4 PLC ± ANGLES ±	NAME PRODUCT SPEC APPLICATION SPEC WEIGHT CUSTOMER DRAWING	NAME CABLE ASSY FIBER OPTIC AMPTRAC SC TO LC DUPLEX, XG 50um, MM SIZE CAGE CODE DRAWING NO A100779C=1435796 SCALE 2:1 SHEET 1 OF 1 REV B